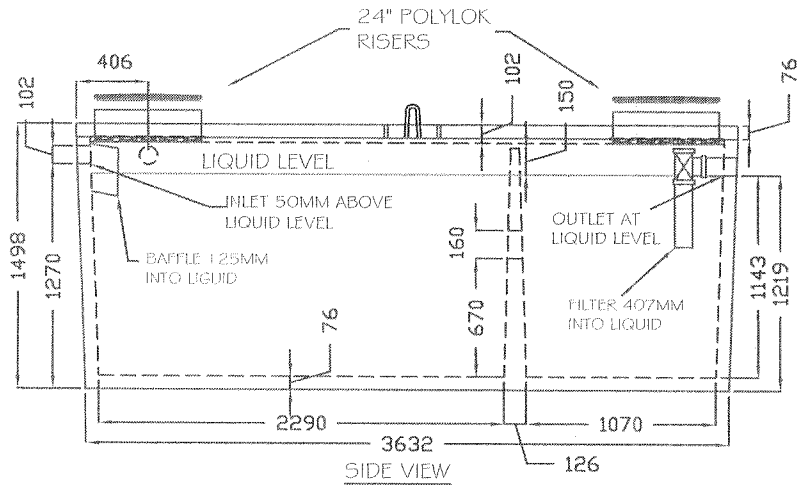
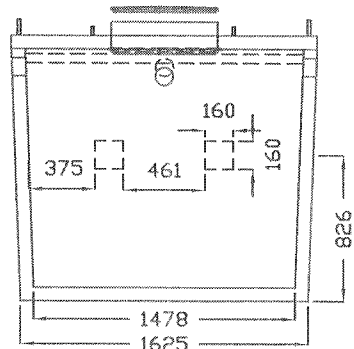


TOP VIEW



SIDE VIEW



END VIEW

DIMENSIONS:

ALL DIMENSIONS IN MILLIMETERS.
+/- 10mm TOLERANCES ON ALL DIMENSIONS

CONCRETE:

STANDARD
STANDARD ACC+(ACCELERATED STRIPPING)
10 MPa STRIPPING STRENGTH
35 MPa @ 28 DAYS
C-1 EXPOSURE CLASS
SULPHATE RESISTANT
2.2 CUBIC YARDS

REINFORCEMENT:

ALL REINF. HAS MIN. 25mm OF COVER

TANK:

WWF 6"x6" 6/6 (BOTTOM AND 36" OF SIDES)
1 - 10M RING (TOP)
4 - 10M VERTICALS (SIDES)

LID:

1 - 10M RING
4 - 10M BARS LONG WAY
2 - 10M BARS SHORT WAY

WEIGHT:

APPROX. 13189 LBS/5995 KG

NOTES:

USE 3/8" x 8 1/2" PURPLE LIFTERS ON LID
DIVIDER WALL IS MONOLITHIC CAST
JOINT SEALANT IS MASTIC SEALANT (CONSEAL CS-102)
TANK ASSEMBLED IN FACTORY
1.5M MAXIMUM BURIAL
INLET AND OUTLET ARE 4" POLYLOK PIPE SEALS
LIDS AND RISERS ARE 24" DIAMETER POLYLOK



58 COOPER ROAD
ROSSLYN, ONT.
Phone: (807) 939-2655
Fax: (807) 939-1788

PRODUCT

1200 GAL/ 5500 L SEPTIC TANK

CONTRACTOR:

SCALE:

N.T.S

JOB/PRODUCT CODE:

1200STPR

DATE	INI.	DESCRIPTION
11/26/13	DSM	ORIGINAL DRAWING