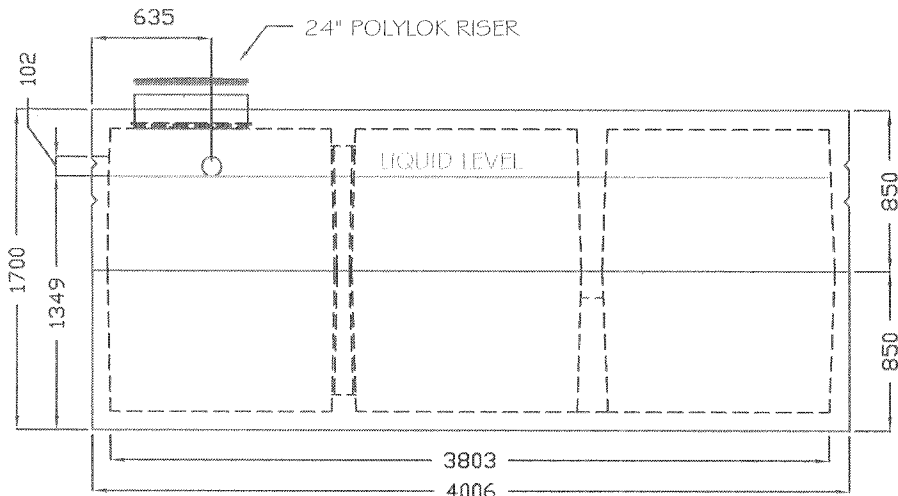
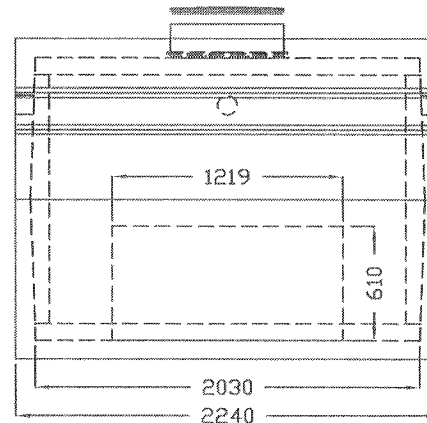


TOP VIEW



SIDE VIEW



END VIEW

DIMENSIONS:

ALL DIMENSIONS IN MILLIMETERS.
+/- 10mm TOLERANCES ON ALL DIMENSIONS

CONCRETE:

STANDARD
STANDARD ACC(ACCELERATED STRIPPING)
10 MPa STRIPPING STRENGTH
35 MPa @ 28 DAYS
C-1 EXPOSURE CLASS
SULPHATE RESISTANT

REINFORCEMENT:

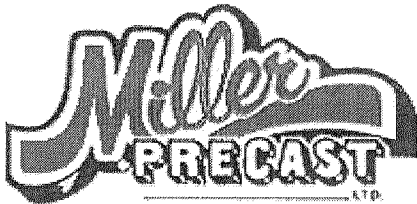
ALL REINF. HAS MIN. 25mm OF COVER
10M @ 300mm O/C E/W
CORNER BARS AROUND RISERS

WEIGHT:

EACH SECTION APPROX. 9103 LBS/4138 KG
ASSEMBLED WEIGHT APPROX. 18206 LBS/8276 KG

NOTES:

JOINT SEALANT IS MASTIC SEALANT (CONSEAL CS-102)
(NSF APPROVED SEALANT AVAILABLE FOR POTABLE WATER HOLDING TANKS)
TANK ASSEMBLED ON SITE
SEE INSTRUCTIONS FOR ASSEMBLY PROCEDURES
1.5M MAXIMUM BURIAL
INLETS ARE 4" POLYLOK PIPE SEALS
LID AND RISER ARE 24" DIAMETER POLYLOK



58 COOPER ROAD
ROSSLYN, ONT.
Phone: (807) 939-2655
Fax: (807) 939-1788

PRODUCT

2000 GAL/ 9100 L HOLDING TANK

JOB/PRODUCT CODE:

2000HTPR

CONTRACTOR:

SCALE:

N.T.S

DATE	INI.	DESCRIPTION
NOV 2012	MH	ORIGINAL DRAWING