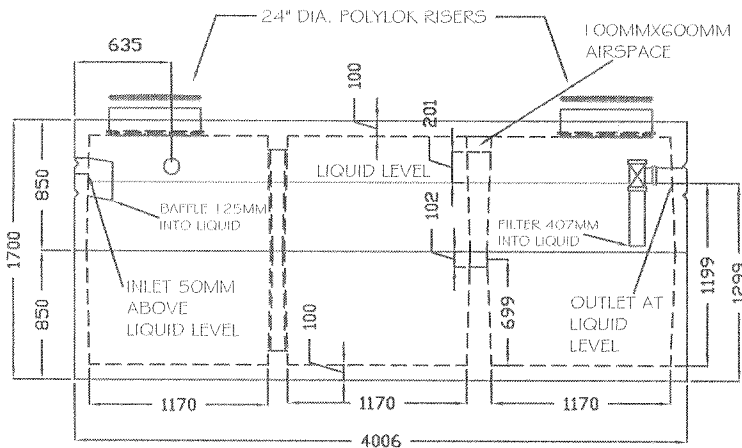
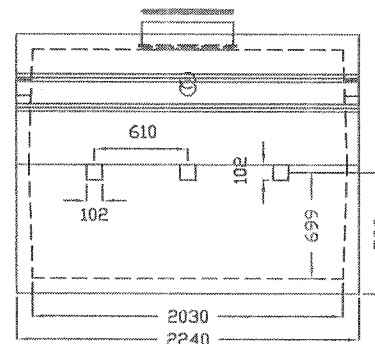


TOP VIEW



SIDE VIEW



END VIEW

DIMENSIONS:

ALL DIMENSIONS IN MILLIMETERS.  
+/- 10mm TOLERANCE ON ALL DIMENSIONS

CONCRETE:

STANDARD  
STANDARD ACC+(ACCELERATED STRIPPING)  
10 MPa STRIPPING STRENGTH  
35 MPa @ 28 DAYS  
C-A EXPOSURE CLASS  
SULPHATE RESISTANT  
2.2 CUBIC YARDS PER HALF

REINFORCEMENT:

ALL REINF. HAS MIN. 25mm OF COVER  
10M @ 300mm O/C E/W  
CORNER BARS AROUND RISERS

WEIGHT:

EACH SECTION APPROX. 8600 LBS/3909 KG  
ASSEMBLED WEIGHT APPROX. 17200 LBS/7818 KG

NOTES:

DIVIDER WALL IS MONOLITHIC CAST  
JOINT SEALANT IS MASTIC SEALANT (CONSEAL CS-102)  
TANK ASSEMBLED ON SITE  
SEE INSTRUCTIONS FOR ASSEMBLY PROCEDURES  
1.5M MAXIMUM BURIAL  
INLET AND OUTLET ARE 4" POLYLOK PIPE SEALS  
LIDS AND RISERS ARE 24" DIAMETER POLYLOK



58 COOPER ROAD  
ROSSLYN, ONT.  
Phone: (807) 939-2655  
Fax: (807) 939-1788

PRODUCT

2000 GAL/ 9000 L SEPTIC TANK

JOB/PRODUCT CODE:

2000STPR

CONTRACTOR:

SCALE:

N.T.S

DATE	INI.	DESCRIPTION
OCT 2012	MH	ORIGINAL DRAWING