

**DIMENSIONS:**

ALL DIMENSIONS IN MILLIMETERS.  
+/- 10mm TOLERANCES ON ALL DIMENSIONS

**CONCRETE:**

STANDARD  
STANDARD ACC(ACCELERATED STRIPPING)  
10 MPa STRIPPING STRENGTH  
35 MPa @ 28 DAYS  
C-1 EXPOSURE CLASS  
SULPHATE RESISTANT  
6.2 CUBIC YARDS (TANK)

**REINFORCEMENT:**

ALL REINF. HAS MIN. 25mm OF COVER

TANK:

10M @ 300mm O/C E/W

LID:

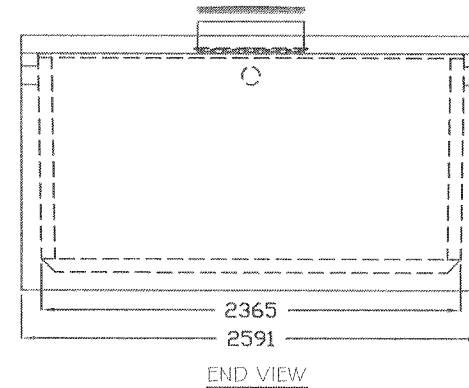
10M @ 300mm O/C E/W  
CORNER BARS AROUND RISERS

**WEIGHT:**

LID APPROX. 9531 LBS/4332 KG  
TANK APPROX. 18397 LBS/8362 KG  
ASSEMBLED APPROX. 27688 LBS/ 12585 KG

**NOTES:**

JOINT SEALANT IS MASTIC SEALANT (CONSEAL CS-102)  
(NSF APPROVED SEALANT AVAILABLE FOR POTABLE WATER HOLDING TANKS)  
TANK ASSEMBLED ON SITE  
SEE INSTRUCTIONS FOR ASSEMBLY PROCEDURES  
1.5M MAXIMUM BURIAL  
INLETS ARE 4" POLYLOK PIPE SEALS  
LID AND RISER ARE 24" DIAMETER POLYLOK



58 COOPER ROAD  
ROSSLYN, ONT.  
Phone: (807) 939-2655  
Fax: (807) 939-1788

PRODUCT

2500 GAL/11365 L  
HOLDING TANK

JOB/PRODUCT CODE:

2500HTPR

CONTRACTOR:

SCALE:

N.T.S

DATE	INI.	DESCRIPTION
NOV 2013	MH	ORIGINAL DRAWING