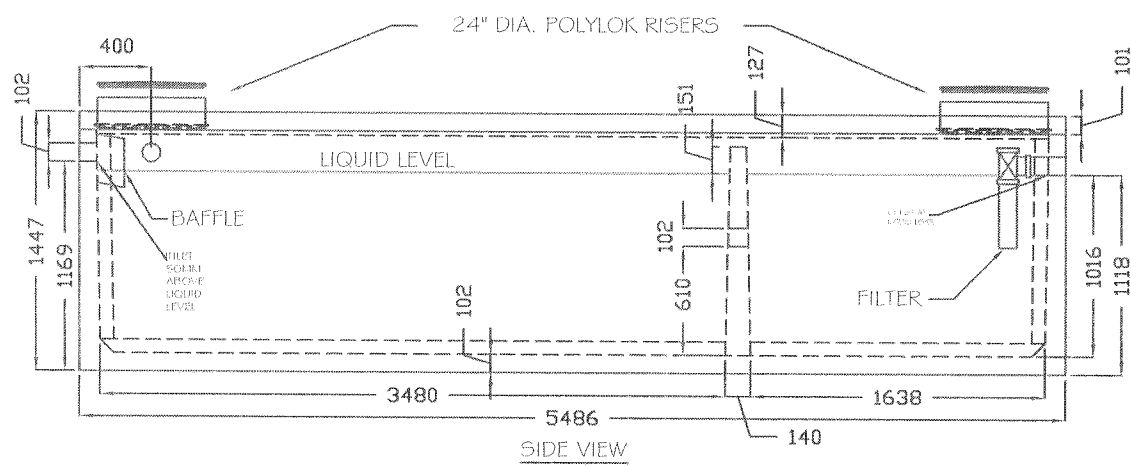
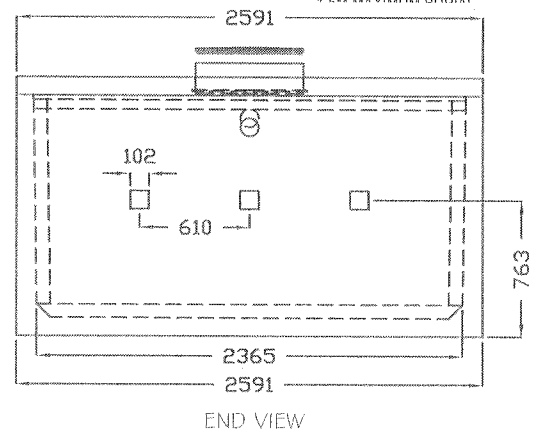


TOP VIEW



SIDE VIEW



END VIEW

DIMENSIONS:

ALL DIMENSIONS IN MILLIMETERS.
± 10 mm TOLERANCE ON ALL DIMENSIONS

CONCRETE:

STANDARD
STANDARD ACC+(ACCELERATED STRIPPING)
10MPa STRIPPING STRENGTH
35 MPa @ 28 DAYS
C-1 EXPOSER CLASS
6.2 CUBIC YARDS
SULPHATE RESISTANT

REINFORCEMENT:

ALL REINF. HAS MIN. 25mm OF COVER

TANK:

10M @ 300mm O/C EW

LID:

10M @ 300mm O/C EW
CORNER BARS AROUND RISERS

WEIGHT:

LID APPROX. 9533 LBS/ 4333 KG
TANK APPROX. 20094 LBS/ 9134 KG
ASSEMBLED APPROX. 29627 LBS/ 13467

NOTES:

DIVIDER WALL IS MONOLITHIC CAST
JOINT SEALANT IS MASTIC SEALANT (CONSEAL CS-102)
TANK ASSEMBLED ON SITE
SEE INSTRUCTIONS FOR ASSEMBLY PROCEDURES
SEE SEE VISIT THE DIVISION



58 COOPER ROAD
ROSSLYN, ONT.
Phone: (807) 939-2655
Fax: (807) 939-1788

PRODUCT
2500 GAL/ 11365 L SEPTIC TANK

JOB/PRODUCT CODE:
2500 STPR

CONTRACTOR:

SCALE:
N.T.S

DATE	INI.	DESCRIPTION
11/28/13	DSM	ORIGINAL DRAWING