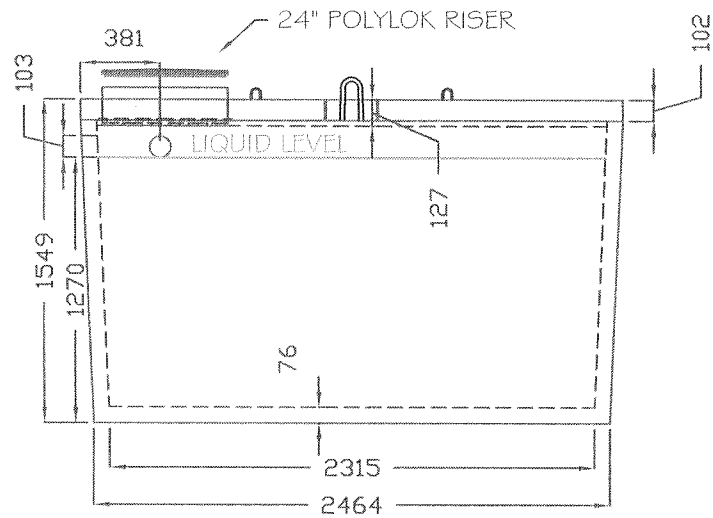
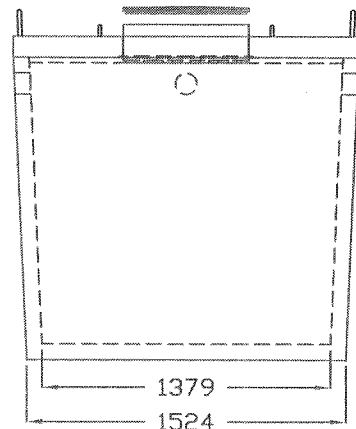


TOP VIEW



SIDE VIEW



END VIEW

**DIMENSIONS:**

ALL DIMENSIONS IN MILLIMETERS.  
+/- 10mm TOLERANCES ON ALL DIMENSIONS

**CONCRETE:**

STANDARD  
STANDARD ACC(ACCELERATED STRIPPING)  
10 MPa STRIPPING STRENGTH  
35 MPa @ 28 DAYS  
C-1 EXPOSURE CLASS  
SULPHATE RESISTANT  
1.7 CUBIC YARDS (TANK)  
0.75 CUBIC YARDS (LID)

**REINFORCEMENT:**

ALL REINF. HAS MIN. 25mm OF COVER

**TANK:**

WWF 6"x6" 6/6 (BOTTOM AND 36" OF SIDES)  
1 - 10M RING (TOP)  
4 - 10M VERTICALS (SIDES)

**LID:**

1 - 10M RING  
4 - 10M BARS LONG WAY  
2 - 10M BARS SHORT WAY

**WEIGHT:**

LID APPROX. 2868 LBS/1304 KG  
TANK APPROX. 5952 LBS/2705 KG  
ASSEMBLED APPROX. 8820 LBS/3009 KG

**NOTES:**

USE 3/8" x 8 1/2" PURPLE LIFTERS ON LID  
JOINT SEALANT IS MASTIC SEALANT (CONSEAL CS-102)  
(NSF APPROVED SEALANT AVAILABLE FOR POTABLE WATER HOLDING TANKS)  
TANK ASSEMBLED IN FACTORY  
1.5M MAXIMUM BURIAL  
INLETS ARE 4" POLYLOK PIPE SEALS  
LID AND RISER ARE 24" DIAMETER POLYLOK



58 COOPER ROAD  
ROSSLYN, ONT.  
Phone: (807) 939-2655  
Fax: (807) 939-1788

PRODUCT  
**800 GAL/ 3600 L HOLDING TANK**

JOB/PRODUCT CODE:  
**800 HTPR**

CONTRACTOR:

SCALE:  
**N.T.S**

DATE	INI.	DESCRIPTION
26/01/14	MH	ORIGINAL DRAWING