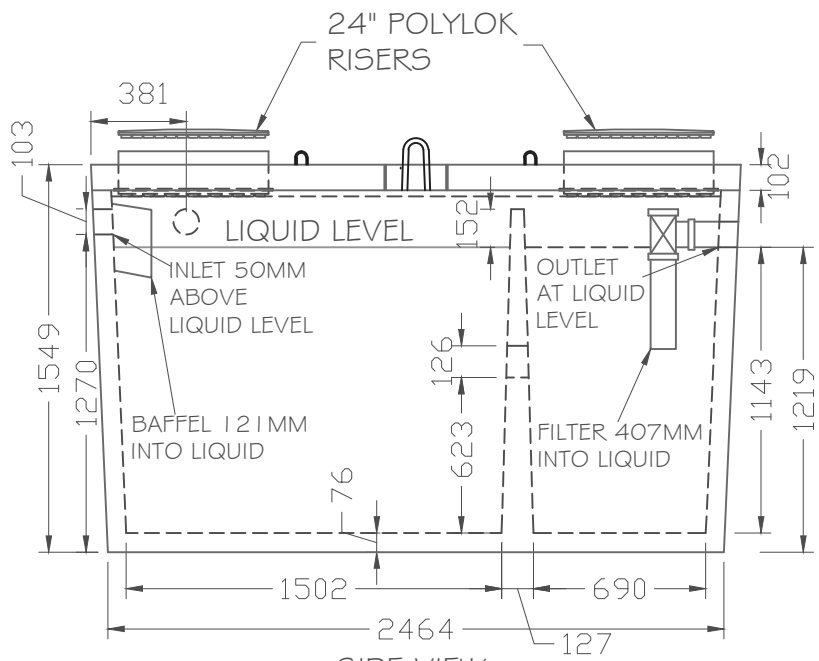
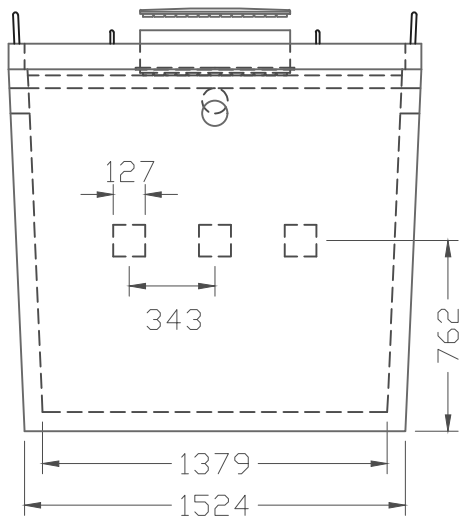


TOP VIEW



SIDE VIEW



END VIEW

GENERAL:
 ALL DIMENSIONS IN MILLIMETERS
 +/- 1.0mm TOLERANCES ON ALL DIMENSIONS

CONCRETE:
 STANDARD
 STANDARD ACC (ACCELERATED STRIPPING)
 10 MP₂ @ STRIPPING STRENGTH
 35 MP₂ @ 28 DAYS
 C-1 EXPOSURE CLASS
 SULPHATE RESISTANT
 1.7 CUBIC YARDS (TANK)

REINFORCING:
 ALL REINF. HAS MIN. 25mm OF COVER

TANK:
 WWF 6"X6" $\frac{5}{8}$ " (BOTTOM AND 36" OF SIDES)
 1- 1.0M RING (TOP)
 4- 1.0M VERTICALS (SIDES)

LID:
 1- 1.0M RING
 4- 1.0M BARS LONG WAY
 2- 1.0M BARS SHORT WAY

WEIGHT:
 APPROX. - 9549 LBS/4340 KG

NOTES:
 USE $\frac{3}{8}$ " x $8 \frac{1}{2}$ " PURPLE LIFTERS ON LID
 DIVIDER WALL IS MONOLITHIC CAST
 JOINT SEALANT IS MASTIC SEALANT (CONCEAL C5-102)
 (NSF APPROVED SEALANT AVAILABLE FOR PORTABLE WATER HOLDING TANKS)
 TANK ASSEMBLED IN FACTORY
 1.5M MAXIMUM BURIAL
 INLETS ARE 4" POLYLOK PIPE SEALS
 LID AND RISER ARE 24" DIAMETER POLYLOK



PRODUCT:
830 GAL/3780 L SEPTIC TANK

PRODUCT ID:
STC 830

CONTRACTOR:

SCALE:
 N.T.S

REV	DATE	INI.	DESCRIPTION
0	03/23/ 20	LP	ORIGINAL DRAWING